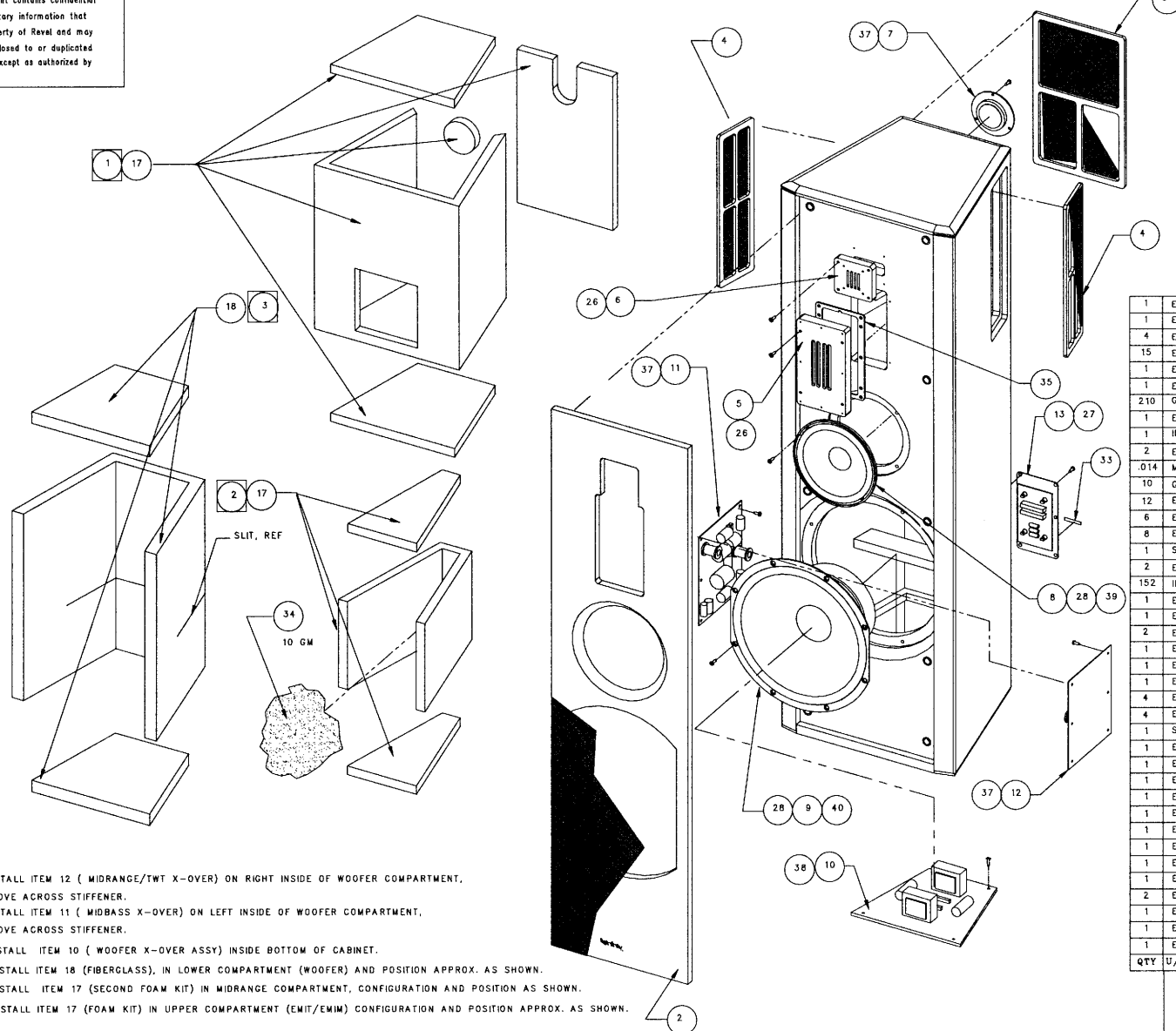




IRS Omega Specifications

Performance Data	Recommended Power:	100 – 500 watts RMS per channel
	Frequency Response:	30Hz – 42kHz (± 2 dB)
	Crossover Frequencies:	180Hz, 900Hz, 4000Hz
	Sensitivity:	87dB @ 2.83V/1M
	Drivers:	EMIT™ & EMIT™-R Tweeters EMIM™ Midrange 6-1/2" (165mm) Midbass 12" (305mm) Watkin's Woofer
Finish		Black Oak Veneer
Dimensions	Height, Width, Depth:	48-7/16 x 15-3/8 x 15" (1230 x 390 x 380mm)
Weight		121 lbs/55 kg

REVEL
 This document contains confidential and proprietary information that is the property of Revel and may not be disclosed to or duplicated for others except as authorized by Revel



6. INSTALL ITEM 12 (MIDRANGE/TWT X-OVER) ON RIGHT INSIDE OF WOOFER COMPARTMENT, ABOVE ACROSS STIFFENER.
5. INSTALL ITEM 11 (MIDBASS X-OVER) ON LEFT INSIDE OF WOOFER COMPARTMENT, ABOVE ACROSS STIFFENER.
4. INSTALL ITEM 10 (WOOFER X-OVER ASSY) INSIDE BOTTOM OF CABINET.
3. INSTALL ITEM 18 (FIBERGLASS), IN LOWER COMPARTMENT (WOOFER) AND POSITION APPROX. AS SHOWN.
2. INSTALL ITEM 17 (SECOND FOAM KIT) IN MIDRANGE COMPARTMENT, CONFIGURATION AND POSITION AS SHOWN.
1. INSTALL ITEM 17 (FOAM KIT) IN UPPER COMPARTMENT (EMIT/EMIM) CONFIGURATION AND POSITION APPROX. AS SHOWN.

NOTES: (UNLESS OTHERWISE SPECIFIED)

REVISIONS						
CHG	LTR	DESCRIPTION	DRFT	CHK	DATE	APPR
-	A	RELEASE FOR PROD.	HF	A.S.	6/02/88	A.S.
87	B	REV POS/NEG ON FRT TWT	VAL	J.L.	7/8/98	B.W.
88	C	REV'D ITEMS 24, 33, 37 THRU 40	VAL	J.L.	7/20/98	J.L.

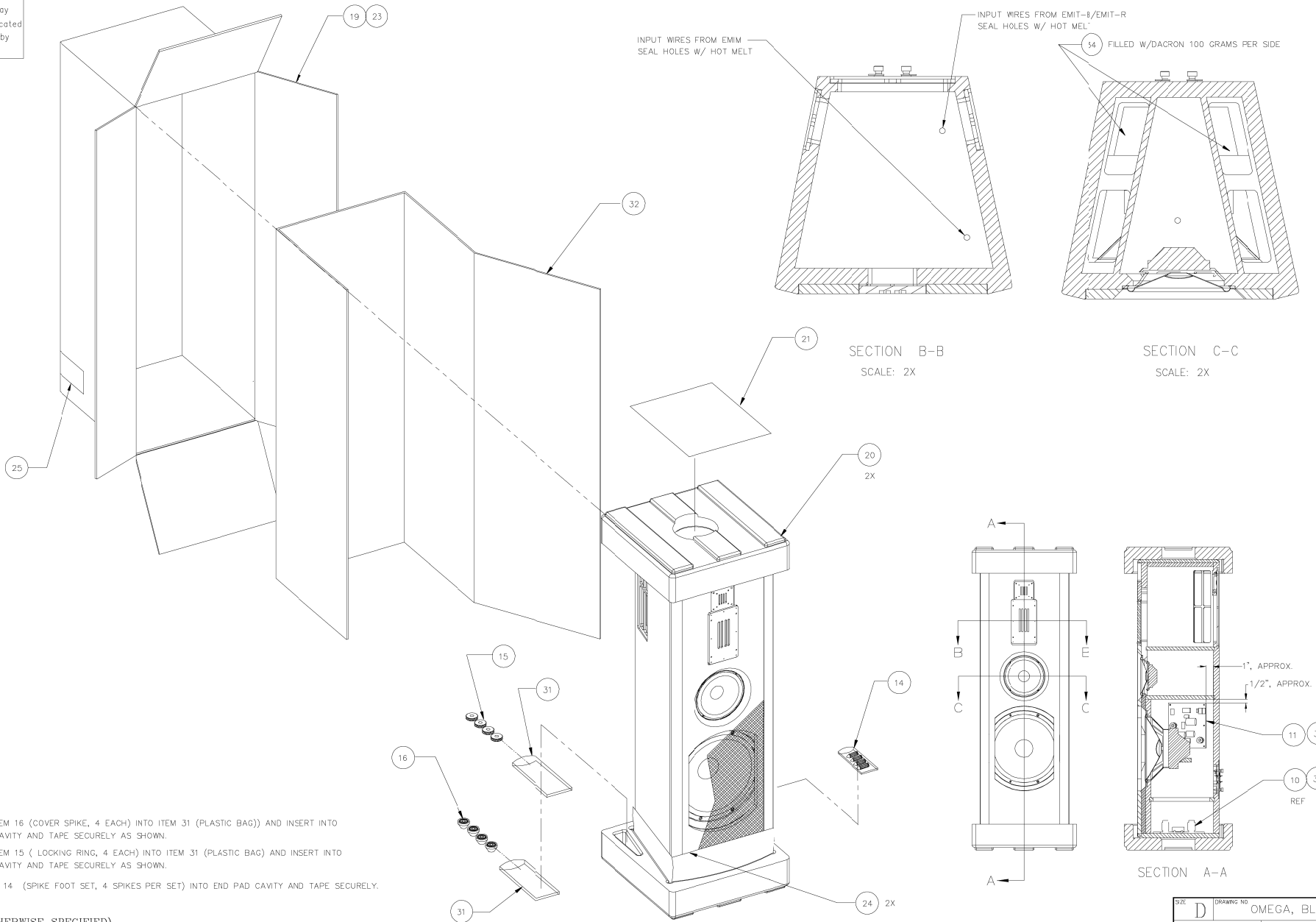
OMEGA, BLK	OMEGA, BLK	MATTE BLACK
PART NO.	MODEL	FINISH
TABULATION		

1	EA	40	8441488-002	GASKET, 12"	
1	EA	39	8441488-001	GASKET, 6 1/2"	
4	EA	38	8011271-016	SCREW, #8X1", PPH, P.B. BLK	WOOFER BOARD
15	EA	37	8011271-012	SCREW, #8X3/4, PPH, PB. BLK	EMIT-B/X-OVER
1	EA	38	1341470-001	RESISTOR KIT, OMEGA	
1	EA	35	309476-001	PAD, RISER	
210	GM	34	8751070-001	DIACRON	
1	EA	33	9581487-001	SERIAL NO. LABEL	
1	IN	32	9501295-001	CARTON LINER, OMEGA	
2	EA	31	9551108-001	PLASTIC BAG, 4'X4'	COVER, SPIKE/LOCK, R.
.014	ML	30	309837-001	ADHESIVE, THD LOCK #222	EMIT/EMIM
10	GM	29	309848-001	SOLDER, ERSIN #SN63	EMIT/EMIM
12	EA	28	309806-001	SCREW 10-32X1 PPH, SPCL, BLK	MID BASS/WOOFER
1	EA	27	8011455-012	SCREW #8X3/4, FPH, PB, SPL, BLK	INPUT CUP
8	EA	26	8011455-016	SCREW #8X1, FPH, PB, SPL, BLK	EMIM/EMIT-B
1	ST	25	9581024-001	LABEL, BARCODE/SERIAL/DATE	
2	EA	24	8901068-001	FIBER SHEETING, 24 x 24	
152	IN	23	9601067-001	TAPE, PACKING	CART.116/HDWE.36
1	EA	22	330700-001	RESISTOR, 8.2 OHM, 2X, 5 W	
1	EA	21	9301297-001	OWNER MANUAL, OMEGA	
2	EA	20	9511296-001	FOAM, TOP/BOTTOM PAD	
1	EA	19	8461294-001	CARTON, OMEGA	
1	EA	18	8761293-001	FIBERGLASS KIT, OMEGA	
1	EA	17	8781292-001	FOAM KIT, RD-60, OMEGA	
4	EA	16	7601075-001	COVER, SPIKE FOOT	
4	EA	15	8461051-001	LOCKING RING	
1	ST	14	8461074-001	SPIKE FOOT SET	
1	EA	13	7121291-001	INPUT PLATE ASSY	
1	EA	12	0151289-002	X-OVER ASSY, MIDRANGE/TWT.	
1	EA	11	0151289-003	X-OVER ASSY, MIDBASS	
1	EA	10	0151289-001	X-OVER ASSY, WATKINS WFR.	
1	EA	9	334306-001	12 WOOFER	
1	EA	8	334305-001	6.5 MID BASS	
1	EA	7	311614-001	EMIT-R	
1	EA	6	309652-001	EMIT-B	
1	EA	5	309628-001	EMIM MIDRANGE, NED (NO SILK)	
2	EA	4	0261288-001	GRILLE, SIDE	
1	EA	3	0261287-001	GRILLE, REAR	
1	EA	2	0261286-001	GRILLE, FRONT W/LOGO	
1	EA	1	0101285-001	ENCLOSURE, OMEGA, BLK	

QTY	U/M	ITEM	PART NO.	DESCRIPTION	REMARKS												
<table border="1"> <tr> <td>DESIGN</td> <td>DATE</td> <td>Revel</td> </tr> <tr> <td>DRN</td> <td>04/25/88</td> <td>Chelstworth, California, U.S.A.</td> </tr> <tr> <td>CHK</td> <td>DATE</td> <td></td> </tr> <tr> <td>ME/CHECKER</td> <td>DATE</td> <td></td> </tr> </table>						DESIGN	DATE	Revel	DRN	04/25/88	Chelstworth, California, U.S.A.	CHK	DATE		ME/CHECKER	DATE	
DESIGN	DATE	Revel															
DRN	04/25/88	Chelstworth, California, U.S.A.															
CHK	DATE																
ME/CHECKER	DATE																
<table border="1"> <tr> <td>TOLERANCES</td> <td>(UNLESS OTHERWISE SPECIFIED)</td> </tr> <tr> <td>SIZE</td> <td>AS SHOWN</td> </tr> <tr> <td>FINISH</td> <td>AS SHOWN</td> </tr> <tr> <td>ANGLE</td> <td>UNLESS TOLERANCE OF 0-20</td> </tr> <tr> <td>FACE/ROUND</td> <td>UNLESS OTHERWISE SPECIFIED</td> </tr> </table>						TOLERANCES	(UNLESS OTHERWISE SPECIFIED)	SIZE	AS SHOWN	FINISH	AS SHOWN	ANGLE	UNLESS TOLERANCE OF 0-20	FACE/ROUND	UNLESS OTHERWISE SPECIFIED		
TOLERANCES	(UNLESS OTHERWISE SPECIFIED)																
SIZE	AS SHOWN																
FINISH	AS SHOWN																
ANGLE	UNLESS TOLERANCE OF 0-20																
FACE/ROUND	UNLESS OTHERWISE SPECIFIED																
<table border="1"> <tr> <td>THIRD ANGLE PROJECTION</td> <td>SCALE</td> <td>1/3</td> </tr> <tr> <td>DO NOT SCALE DRAWING</td> <td>SHEET</td> <td>1 OF 3</td> </tr> </table>						THIRD ANGLE PROJECTION	SCALE	1/3	DO NOT SCALE DRAWING	SHEET	1 OF 3						
THIRD ANGLE PROJECTION	SCALE	1/3															
DO NOT SCALE DRAWING	SHEET	1 OF 3															

REVEL
 This document contains confidential and proprietary information that is the property of Revel and may not be disclosed to or replicated for others except as authorized by Revel

REVISIONS						
CHG	LTR	DESCRIPTION	DRFT	CHK	DATE	APPR
-	-	SEE SHEET 1	-	-	-	-



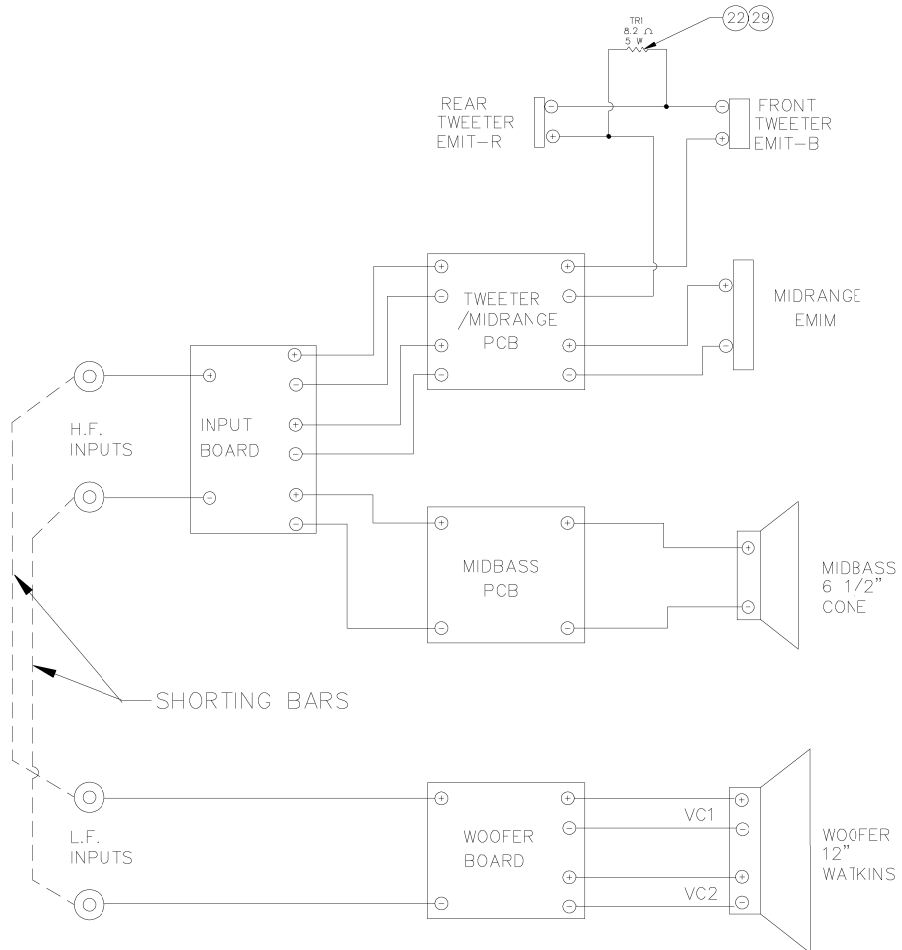
1. INSERT TEM 14 (SPIKE FOOT SET, 4 SPIKES PER SET) INTO END PAD CAVITY AND TAPE SECURELY.
2. PACKAGE ITEM 15 (LOCKING RING, 4 EACH) INTO ITEM 31 (PLASTIC BAG) AND INSERT INTO END P/D CAVITY AND TAPE SECURELY AS SHOWN.
3. PACKAGE ITEM 16 (COVER SPIKE, 4 EACH) INTO ITEM 31 (PLASTIC BAG) AND INSERT INTO END P/D CAVITY AND TAPE SECURELY AS SHOWN.

NOTES: (UNLESS OTHERWISE SPECIFIED)

SIZE	DRWG NO	REV
D	OMEGA, BLK	D
SCALE	SHEET	REV
NONE	2 OF 3	

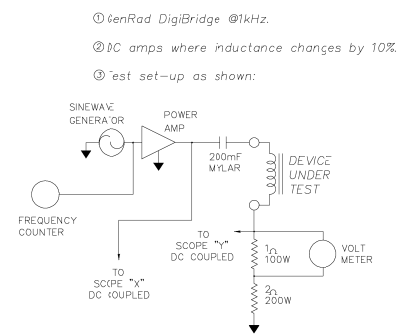
REVEL
 This document contains confidential and proprietary information that is the property of Revel and may not be disclosed to or replicated for others except as authorized by Revel

REVISIONS						
CHG	LTR	DESCRIPTION	DRPT	CHK	DATE	APPR
-	-	SEE SHEET 1	-	-	-	-



Bill of Material
5-20-98

Resistors					
Ref.	Value	Tol%	Watts	Type	Brand
TR1	8.2	2	5	METAL OXIDE	RGA/TY



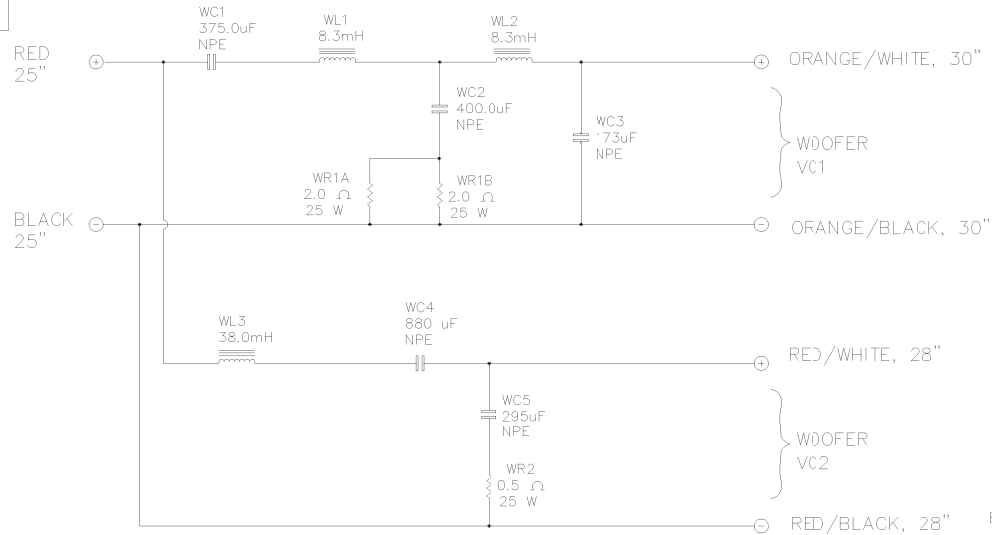
NOTES: (UNLESS OTHERWISE SPECIFIED)

SIZE	D	DRAWING NO	OMEGA, BLK	REV	D
SCALE	NONE	SHEET	3	of	3

REVEL
This document contains confidential and proprietary information that is the property of Revel and may not be disclosed to or duplicated for others except as authorized by Revel

REVISIONS						
CHG	LTR	DESCRIPTION	DRFT	CHK	DATE	APPR
-	A	RELEASED FOR PROD.	HF	A.S.	5/29/98	A.S.
85	B	UPDATED	HF	A.S.	6/17/98	A.S.
87	C	SHT. 1: ORG/WHT&BLK-30" WAS 40". RED/WHT&BLK-28" WAS 40". SHT. 2: LHT BLU/BLK-41.5" WAS 35.5". ADDED 25" CLEAR WIRE. ALL SHTS.: ADD STRIP & TIN 1/2".	VAL	J.I.	7/8/98	B.W.

L.F. INPUTS FROM INPUT TERMINAL



Bill of Material
6-17-98

Ref.	Value	Tol%	Amps	DCR	Q@1k	Type	Air Gap	Material	Size
WL1	8.3mH	2	-	0.59	-	EI	0.5mm	STEEL LAM	57X47X25mm
WL2	8.3mH	2	-	0.59	-	EI	0.5mm	STEEL LAM	57X47X25mm
WL3	38.0mH	2	-	2.20	-	EI	0.5mm	STEEL LAM	66X56X30mm

Ref.	Value	Tol%	D.F.%	(Hz)	AC Volts	Type	Brand
WC1	375uF	2	<4.0	120	100V	NPE	-
WC2	400uF	2	<4.0	120	100V	NPE	-
WC3	173uF	2	<4.0	120	100V	NPE	-
WC4	880uF	2	<4.0	120	100V	NPE	-
WC5	295uF	2	<4.0	120	100V	NPE	-

Ref.	Value	Tol%	Watts	Type	Brand
WR1A	2.0	2	25	WIRE WOUND	-
WR1B	2.0	2	25	WIRE WOUND	-
WR2	0.5	2	25	WIRE WOUND	-

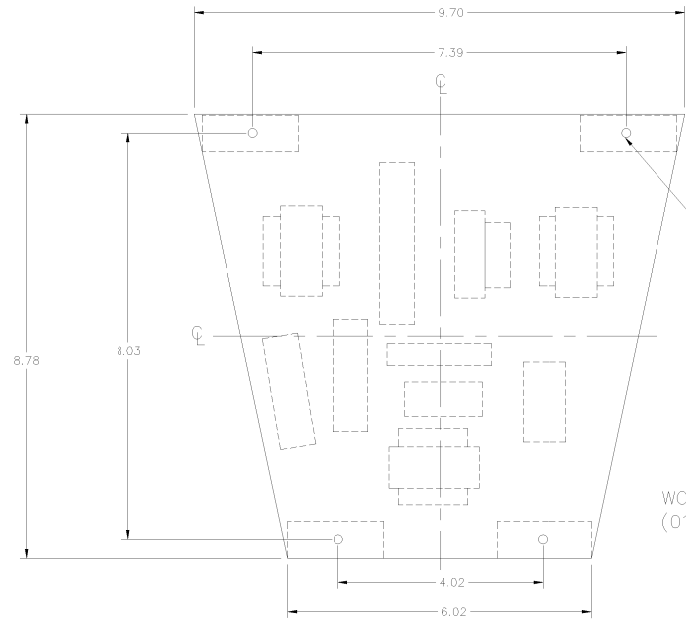
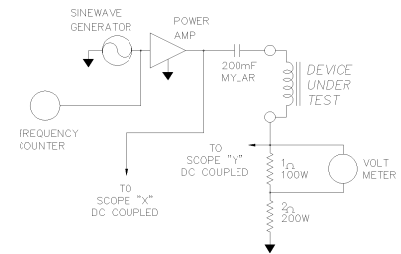
Protection Devices: NONE.

BOARD AND SPACER: MATERIAL: Masonite Thickness: 6mm; COPPER WEIGHT: Hard Wire, 18 AWG Solid.
WIRES: Infinity OFC 12 AWG with 2x18 AWG stranded for ground wire color, coded sleeves. Strip & tin all wires 1/2".

Etc.: Hot melt all components to board, make sure no core singeing.

CLIPS: None.

Test set-up as shown:



- ① GenRad DigBridge @1kHz.
- ② DC amps where inductance changes by 10%.
- ③ 5% tolerance on DCR & DF/Q.

NOTES: (UNLESS OTHERWISE SPECIFIED)

PART NO.	MODEL	REMARKS
0151289-003	OMEGA	MIDBASS, PCB
0151289-002	OMEGA	MID/TWEETER PCB
0151289-001	OMEGA	WOOFER BOARD

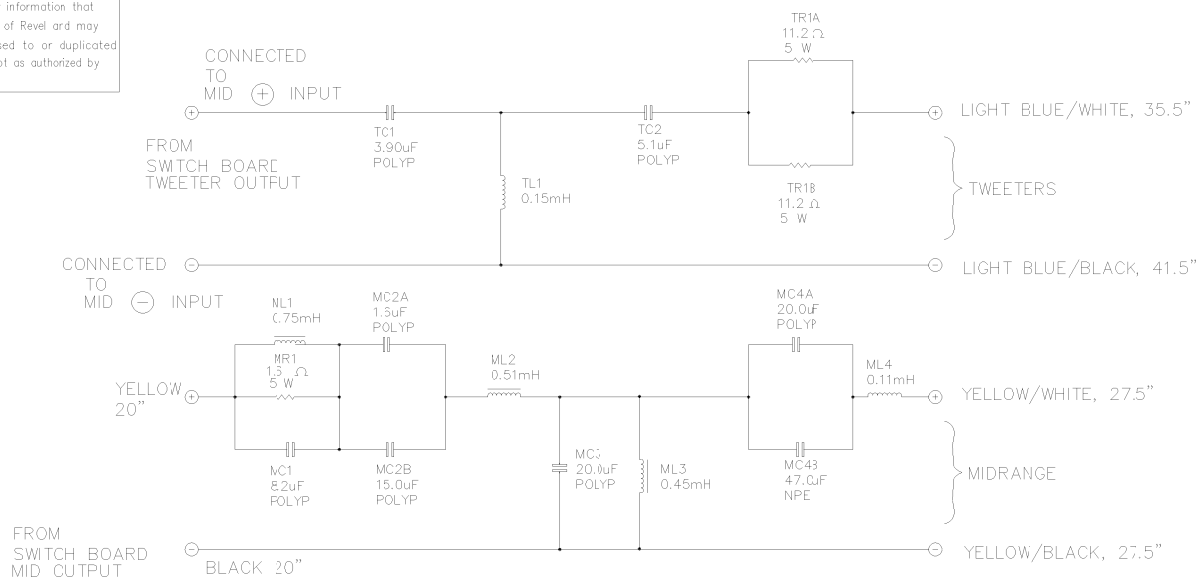
TABULATION

UNLESS OTHERWISE SPECIFIED DIMENSIONS ARE IN MILS (PART DIMS. ARE IN INCH)	DRAWN DATE HF 5/18/98	Revel Chatsworth, California/U.S.A.
TOLERANCES (UNLESS OTHERWISE SPECIFIED)	ME/CHECKER DATE	
XXX 1.000 INCH	ENG DATE	X-OVER
XXX 1.000 INCH	DATE	
XXX 1.000 INCH	DATE	D
XXX 1.000 INCH	DATE	
ALL DIMENSIONS ARE FINISHED DIMENSIONS	MODELS USED ON NOTED	0151289 REV C
DD, NOT SCALE DRAWING	SCALE NONE	SHEET 1 OF 3



This document contains confidential and proprietary information that is the property of Revel and may not be disclosed to or duplicated for others except as authorized by Revel

REVISIONS						
CHG	LTR	DESCRIPTION	DRFT	CHK	DATE	APPR
-	-	SEE SHEET 1	-	-	-	-



Bill of Material
5-20-98

Inductors									
Ref	Value	Tol%	Amps	DCR	Q@1k	Type	Air Gap	Material	Size
TL1	0.15mH	2	-	0.49	2.0	-	-	AIR CORE	25Dx14Hmm
ML1	0.75mH	2	-	0.26	16.7	SLUG	-	IRON POWDER	10X40mm
ML2	0.51mH	2	-	0.13	21.5	SLUG	-	IRON POWDER	10X40mm
ML3	0.45mH	2	-	0.18	15.5	SLUG	-	IRON POWDER	10X40mm
ML4	0.11mH	2	-	0.18	3.8	-	-	AIR CORE	25Dx14Hmm

Capacitors									
Ref	Value	Tol%	D.F. %	(Hz)	AC Volts	Type	Brand		
TC1	3.9uF	2	<0.1	1K	250V	POLYPROP	SOLEN PA		
TC2	5.1uF	2	<0.1	1K	250V	POLYPROP	SOLEN PA		
MC1	8.2uF	2	<0.1	1K	250V	POLYPROP	SOLEN PA		
MC2A	1.6uF	2	<0.1	1K	250V	POLYPROP	SOLEN PA		
MC2B	15.0uF	2	<0.1	1K	250V	POLYPROP	SOLEN PA		
MC3	20.0uF	2	<0.1	1K	250V	POLYPROP	SOLEN PA		
MC4A	20.0uF	2	<0.1	1K	250V	POLYPROP	SOLEN PA		
MC4B	47.0uF	2	<4.0	1K	100V	NPE	-		

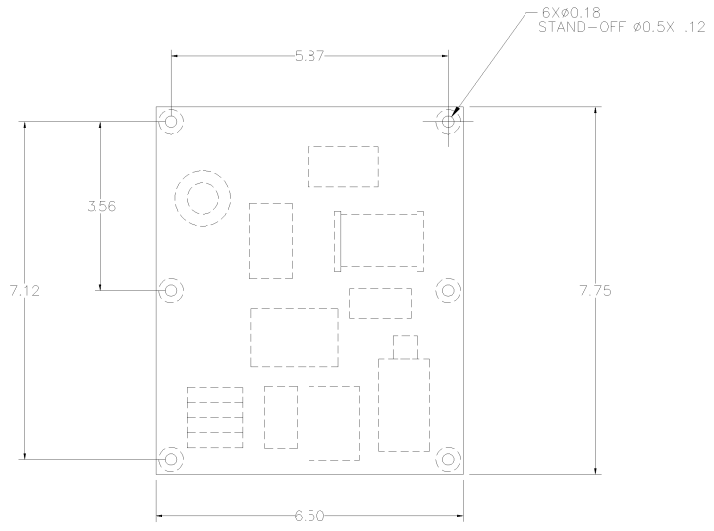
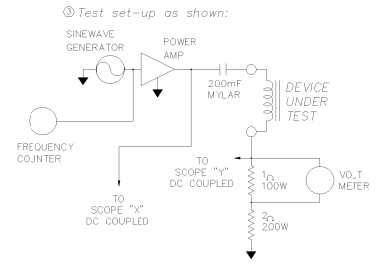
Resistors						
Ref	Value	Tol%	Watts	Type	Brand	
TR1A	11.2	2	5	METAL OXIDE	RGA/TY	
TR1B	11.2	2	5	METAL OXIDE	RGA/TY	
MR1	1.6	2	5	METAL OXIDE	RGA/TY	

Protection Devices: NONE

PCB: MATERIAL:FR-4 Double sided; Thickness: 1.6mm; COPPER WEIGHT: 3 Oz
 WIRES: Infinity OFC 12 AWG with color coded sleeves.
 WIRES: Infinity OFC 12 AWG with color coded sleeves.
 Strip & Tin all wires 1/2".

CLIPS: None.
 Etc.: Hot melt all components to pcb.
 Tie wrap all components to PCB except resistors.

* 25" long clear wire to be supplied loose with this crossover board.



PCB MID/TWEETER (0151289-002)

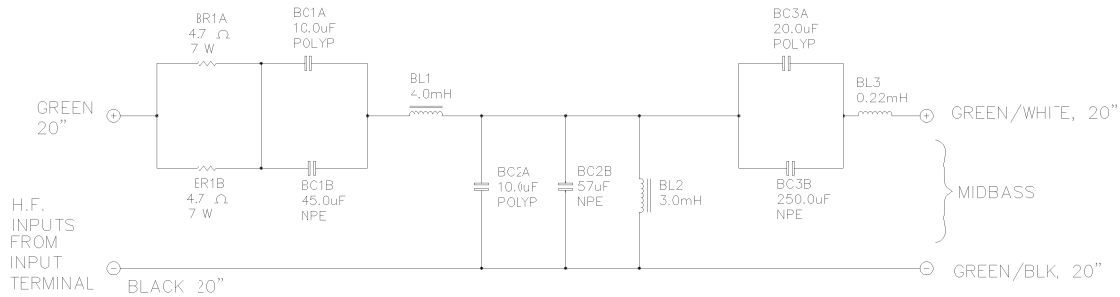
- ① GenRad DigiBridge @1kHz.
- ② DC amps where inductance changes by 10%
- ③ 5% tolerance on DCR & DF/Q.

NOTES: (UNLESS OTHERWISE SPECIFIED)

SIZE	D	DRAWING NO	0151289	REV	C
SCALE	NONE	SHEET	2	OF	3

REVEL
 This document contains confidential and proprietary information that is the property of Revel and may not be disclosed to or duplicated for others except as authorized by Revel.

REVISIONS						
CHG	LTR	DESCRIPTION	DRP*	CHK	DATE	APPR
-	-	SEE SHEET 1	-	-	-	-



Bill of Material
6-17-98

Inductors		Ref.	Value [ⓐ]	Tol%	D.F.%	(Hz) [ⓑ]	AC Volts	Type	Air Gap	Material	Size
		BL1	4.0mH	2	-	0.49	19.1	1	-	STEEL LAM	76x13x13mm
		BL2	3.0mH	2	-	0.39	18.5	1	-	STEEL LAM	76x13x13mm
		BL3	0.22mH	2	-	0.61	2.6	-	-	AIR CORE	25DX14Hmm

Capacitors		Ref.	Value	Tol%	D.F.%	(Hz) [ⓑ]	AC Volts	Type	Brand
		BC1A	10.0uF	2	<4.0	1K	250V	POLYPROP	SOLEN FA
		BC1B	45.0uF	2	<4.0	1K	100V	NPE	-
		BC2A	10.0uF	2	<4.0	1K	250V	POLYPROP	SOLEN FA
		BC2B	57.0uF	2	<4.0	1K	100V	NPE	-
		BC3A	20.0uF	2	<4.0	1K	250V	POLYPROP	SOLEN FA
		BC3B	250.0uF	2	<4.0	120	100V	NPE	-

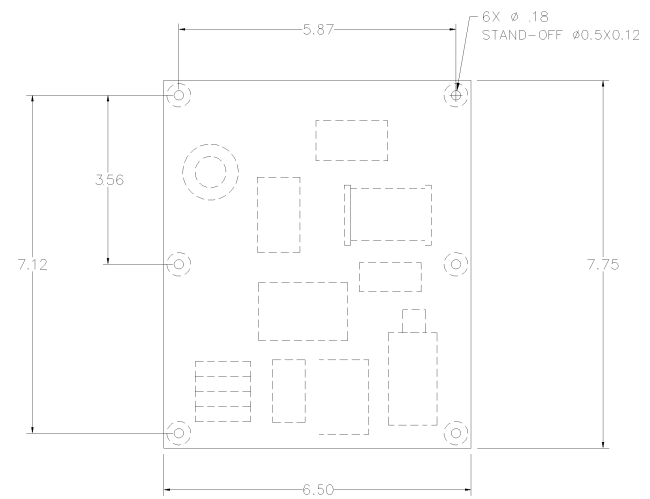
Resistors		Ref.	Value	Td%	Watts	Type	Brand
		BR1A	4.70	1	7	METAL OXIDE	RGA/TY
		BR1B	4.7	1	7	METAL OXIDE	RGA/TY

Protection Devices: NONE

PCB: MATERIAL:FR-4 Double sided; Thickness: 1.6mm; COPPER WEIGHT: 3 Oz
 WIRES: Infinity OF 12 AWG with color coded sleeves.
 Strip & tin all wires 1/2".

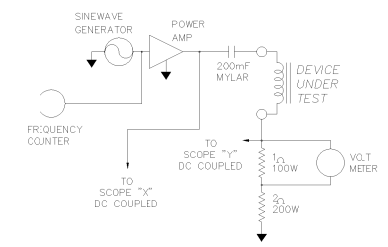
CLIPS: None.

Etc.: Hot melt all components to pcb.
 Tie wrap all components to PCB except resistors.



PCB MIBASS (0151289-003)

ⓐ Test set-up as show:



ⓐ GenRad DigBridge @1kHz.
 ⓑ DC amps where inductance changes by 10%
 ⓒ 5% tolerance on DCR & DF/Q.

NOTES: (UNLESS OTHERWISE SPECIFIED)

SIZE	D	DRAWING NO	0151289	REV	C
SCALE	NONE	SHEET	3	OF	3