

RS 6 Kappa

Kappa Series 3-Way Speaker System

SPECIFICATIONS

ACOUSTIC & ELECTRICAL SPECIFICATIONS:

- Nominal Impedance: 4 to 6 ohms
- Power Rating: 30-150 watts RMS
- Efficiency: 88 dB @1 watt, 1 meter
- Crossover Frequencies: 800Hz, 4500Hz
- Frequency Response: 37Hz-45kHz +/-3dB

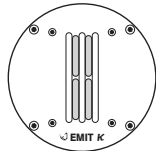
PRODUCTION HISTORY

- Introduced in 1987
- Discontinued 1989
- Original Retail Price: \$600.00/each

PHYSICAL SPECIFICATIONS:

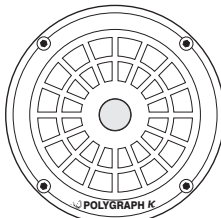
- 1x - EMIT *k* Tweeter
- 1x - 3" Edgewound Voice Coil Polydome *k* Midrange Driver
- 1x - 10" Graphite/Polypropylene Woofer
- Dimensions: 25"H x 15"W" x 10.5"D
63.5cm(H) x 38.1cm(W) x 26.67cm(D)
- Cabinet: Not Sold
- Grille: #NLA
- Crossover: #015-3060
- Binding Post: #528-3238

TECHNICAL INFORMATION

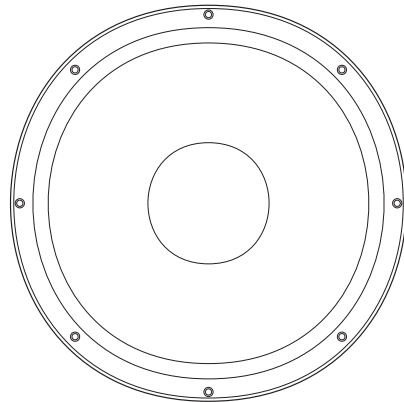


TWEETER
#902-3082-N

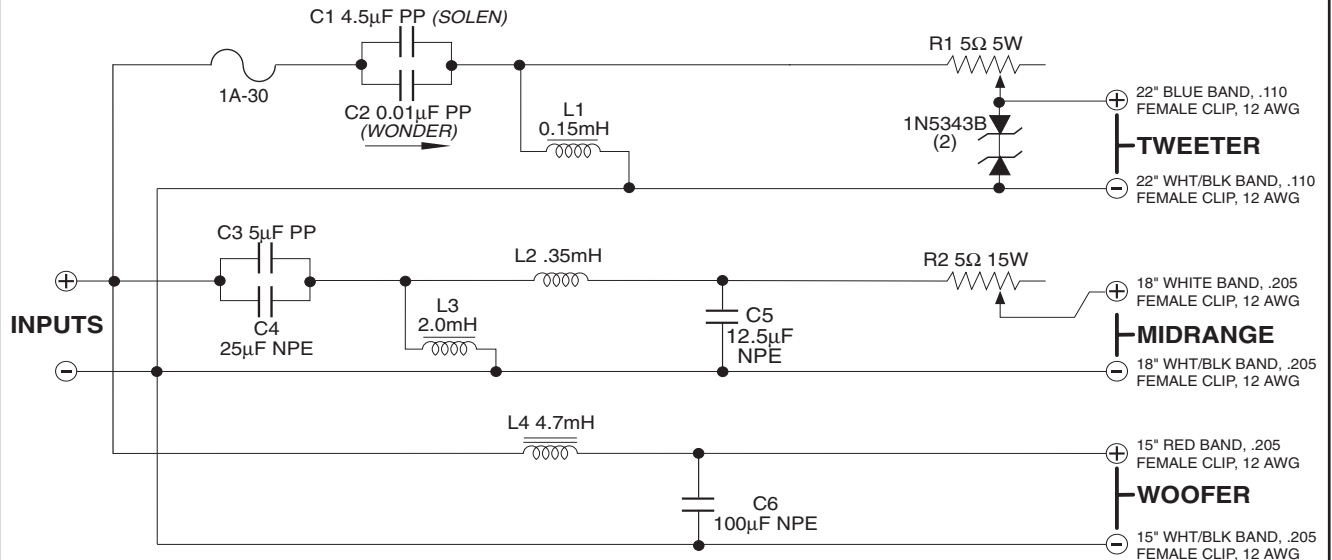
DIAPHRAGM
#751-3722



MIDRANGE
#902-3075



10" WOOFER
#902-3061



RS 6 Kappa Series 3-Way Speaker System